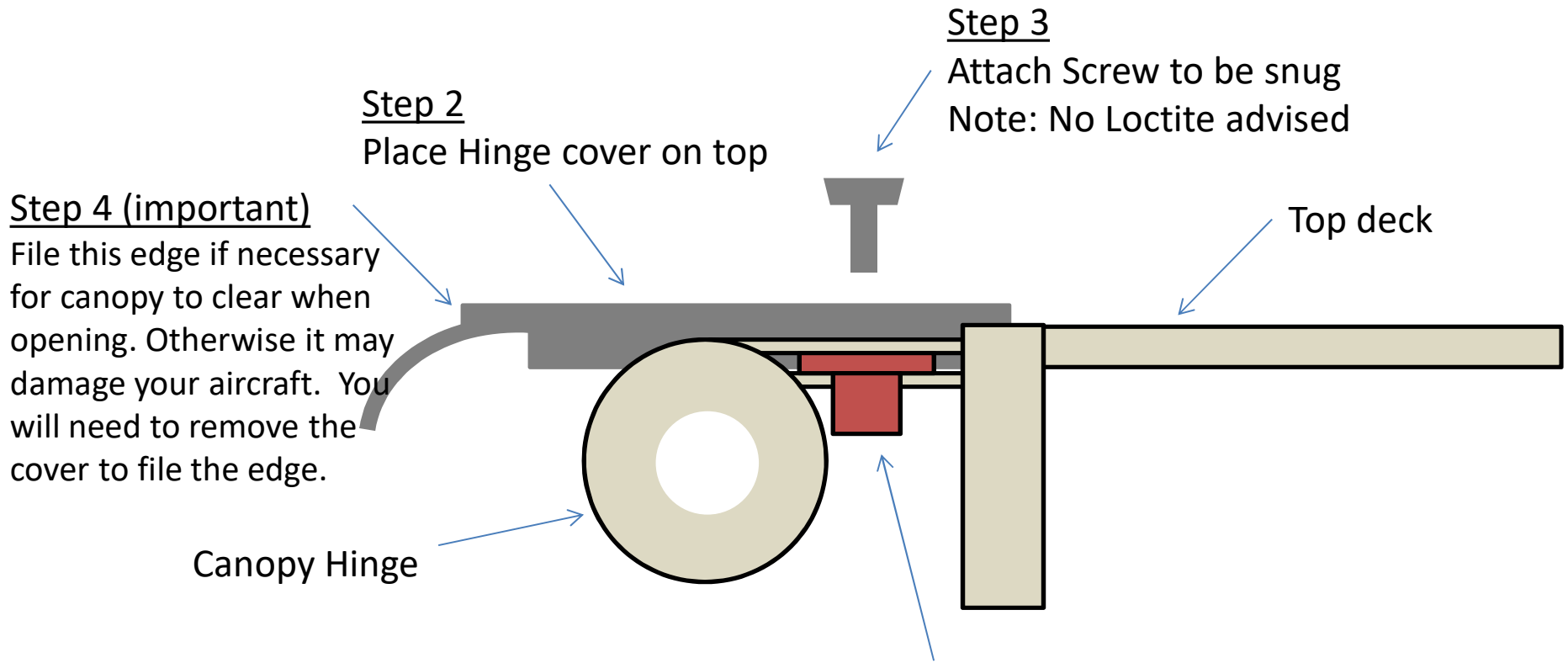


RV-14 Canopy Hinge Cover Installation Procedure



Step 1 (from the outside with canopy installed)

Attach nut to tool using screw

Use tool with screw to install nut in hinge, orient nut tangs fore and aft and place in slot then turn 90 degrees to lock in slot. Note: the slot should be free of pro-seal to allow fit.

